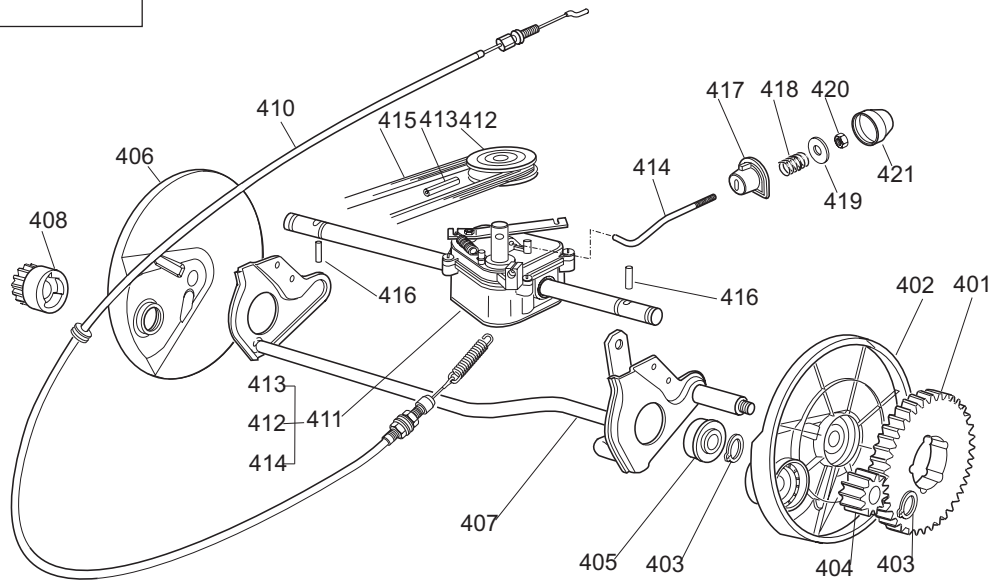
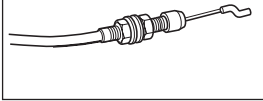


B099



| Ausgabe Issue 2006- 1 | | Bild Nr Picture No B099 | | HANSEATIC 50 BA CMI 50 BA CHASSIE HOLM | | HANSEATIC 50 BA CMI 50 BA CHASSIS HANDLE | | Seite Page 14 | |
|-----------------------------|-----------------|-------------------------------|--|---|------------------------|---|--------------------------|---------------------|--------------------|
| Pos. Fig. | Anzahl/Quantity | | | | Artikel Nr. Part No | Bezeichnung | Description | Satz Kit | Anmerkung Notes |
| | | | | | | | | | |
| 1 | 1 | | | | 1136-1618-01 | Chassie- grün..... | Deck- green..... | | |
| 2 | 3 | | | | 9997-0830-16 | Schraube | Screw | | |
| 3 | 2 | | | | 9997-0816-16 | Schraube | Screw | | |
| 4 | 4 | | | | 1111-3554-01 | Buchse..... | Bushing..... | | |
| 5 | 2 | | | | 9747-0831-02 | Mutter..... | Lock nut..... | | |
| 6 | 2 | | | | 1136-0617-01 | Schraube | Screw | | |
| 7 | 4 | | | | 1136-0666-01 | Griff | Knob | | |
| 8 | 4 | | | | 9799-0831-02 | Mutter | Nut | | |
| 9 | 1 | | | | 1136-1194-01 | Holm- Unterteil | Handle- lower | | |
| 10 | 1 | | | | 1136-0620-01 | Schraube | Screw | | |
| 10A | 1 | | | | 1136-0747-01 | Schraube m. Öse | Screw w. loop | | |
| 11 | 2 | | | | 1136-0693-01 | Scheibe..... | Washer..... | | |
| 12 | 3 | | | | 9739-0831-22 | Mutter | Nut | | |
| 15 | 1 | | | | 1136-0714-01 | Motorbremsdraht | Engine brake cable | | |
| 16 | 1 | | | | 1111-3530-01 | Feder- rechts..... | Spring- RH | | |
| 17 | 1 | | | | 1136-0686-01 | Prallblech..... | Stone guard | | |
| 18 | 1 | | | | 1111-3531-01 | Feder- links | Spring- LH..... | | |
| 19 | 1 | | | | 1136-0680-01 | Pivotachse | Pivot pin..... | | |
| 28 | 1 | | | | 1136-1533-01 | Holm- Oberteil | Handle- upper..... | | |
| 30 | 1 | | | | 1136-0746-01 | Motorbremshebel | Engine brake lever | | |
| 34 | 2 | | | | 1136-0640-01 | Buchse..... | Bush..... | | |
| 37 | 1 | | | | 1136-0745-01 | Antriebshebel..... | Drive lever..... | | |
| 38 | 2 | | | | 1136-0639-01 | Buchse..... | Bush..... | | |
| 39 | 2 | | | | 1136-0682-01 | Platte | Plate | | |
| 40 | 4 | | | | 9847-8119-16 | Schraube | Screw | | |
| 41 | 1 | | | | 1136-1600-01 | Riemenschutz..... | Belt protection..... | | |
| 42 | 1 | | | | 1136-0614-01 | Schraube | Screw | | |
| 43 | 1 | | | | 1136-0603-01 | Sprengring..... | Snap ring..... | | |
| 45 | 1 | | | | 1136-0776-01 | Schraubensatz | Screw set | | |
| 201 | 1 | | | | 1136-0691-01 | Schutz | Protection | | |
| 501 | 1 | | | | 1111-9744-01 | Nabe m. Scheibe..... | Hub w. pulley | | |
| 502 | 1 | | | | 1111-9742-01 | Messer..... | Blade | | |
| 503 | 1 | | | | 1136-0083-01 | Federscheibe | Elastic washer | | |
| 504 | 1 | | | | 1136-0015-01 | Scheibe..... | Washer..... | | |
| 505 | 1 | | | | 9987-5251-12 | Schraube | Screw | | |
| 506 | 1 | | | | 9600-0014-00 | Keil | Key | | |
| 552 | 1 | | | | 1136-0676-01 | Grasskorb- Oberteil..... | Grass box- upper..... | | |
| 553 | 1 | | | | 1136-0677-01 | Grasskorb- Unterteil..... | Grass box- lower..... | | |





| Ausgabe Issue 2006- 1 | | Bild Nr Picture No B100 | | HANSEATIC 50 BA CMI 50 BA GETRIEBE RADAUFHÄNGUNG | | HANSEATIC 50 BA CMI 50 BA TRANSMISSION WHEEL SUSPENSION | | Seite Page 16 | |
|-----------------------------|-----------------|-------------------------------|--|---|------------------------|--|----------------------------|---------------------|--------------------|
| Pos. Fig. | Anzahl/Quantity | | | | Artikel Nr. Part No | Bezeichnung | Description | Satz Kit | Anmerkung Notes |
| | | | | | | | | | |
| 251 | 2 | | | | 9799-0831-02 | Mutter | Nut | | |
| 252 | 2 | | | | 9683-0030-02 | Scheibe..... | Lock washer..... | | |
| 253 | 2 | | | | 1136-0014-01 | Scheibe..... | Washer..... | | |
| 254 | 2 | | | | 1136-0696-01 | Höhenverstellsektor..... | Wheel adjust sector | | |
| 255 | 2 | | | | 1136-0754-01 | Radhalter | Wheel support..... | | |
| 256 | 2 | | | | 1136-0744-01 | Höhenverstellhebel | Height adjust lever | | |
| 257 | 2 | | | | 1136-0084-01 | Distanz..... | Spacer..... | | |
| 258 | 2 | | | | 9997-0830-16 | Schraube | Screw..... | | |
| 258 A | 2 | | | | 9699-0090-02 | Scheibe..... | Flat washer..... | | |
| 259 | 8 | | | | 1136-0634-01 | Buchse..... | Bush..... | | |
| 260 | 2 | | | | 1136-0768-01 | Rad..... | Wheel..... | | |
| 261 | 4 | | | | 9699-0056-02 | Scheibe..... | Flat washer..... | | |
| 262 | 4 | | | | 9747-0831-02 | Mutter..... | Lock nut..... | | |
| 263 | 2 | | | | 1136-1189-01 | Radkappe- weiß | Hub cap- white | | |
| 264 | 1 | | | | 1136-0742-01 | Höhenverstellhebel | Height adjust lever | | |
| 265 | 2 | | | | 9997-0512-16 | Schraube | Screw..... | | |
| 266 | 2 | | | | 9747-0531-02 | Mutter..... | Nut | | |
| 267 | 2 | | | | 1136-0769-01 | Rad..... | Wheel..... | | |
| 268 | 2 | | | | 1136-1190-01 | Radkappe- weiß | Hub cap- white | | |
| 401 | 2 | | | | 1136-0653-01 | Kranz..... | Ring gear | | |
| 402 | 1 | | | | 1136-0690-01 | Radschutz- links | Wheel protection- LH | | |
| 403 | 4 | | | | 9650-0012-04 | Seegersicherung | Circlip..... | | |
| 404 | 1 | | | | 1136-0685-01 | Ritzel- links | Pinion- LH | | |
| 405 | 2 | | | | 1136-0632-01 | Lager | Bearing..... | | |
| 406 | 1 | | | | 1136-0689-01 | Radschutz- rechts..... | Wheel protection- RH..... | | |
| 407 | 1 | | | | 1136-0713-01 | Hinterradachse | Rear wheel axle | | |
| 408 | 1 | | | | 1136-0684-01 | Ritzel- rechts..... | Pinion- RH..... | | |
| 410 | 1 | | | | 1136-1455-01 | Kupplungsdraht..... | Clutch cable | | |
| 411 | 1 | | | | 1136-1457-01 | Getriebe Kpl (grau)..... | Gearbox assy (grey)..... | | |
| 412 | 1 | | | | 1136-0692-01 | • Riemenscheibe | • Pulley | | |
| 413 | 1 | | | | 1136-0612-01 | • Stift..... | • Pin..... | | |
| 414 | 1 | | | | 1136-0633-01 | • Verstellstange | • Adjustment rod | | |
| 415 | 1 | | | | 1111-9747-01 | Riemen..... | Belt..... | | |
| 416 | 2 | | | | 1136-0697-01 | Stift..... | Pin | | |
| 417 | 1 | | | | 1136-0638-01 | Buchse..... | Bush..... | | |
| 418 | 1 | | | | 1136-0668-01 | Feder | Spring | | |
| 419 | 1 | | | | 1136-0091-01 | Scheibe..... | Washer..... | | |
| 420 | 1 | | | | 9747-0631-02 | Mutter | Lock nut..... | | |
| 421 | 1 | | | | 1136-0081-01 | Nabenkapsel..... | Hub cap..... | | |